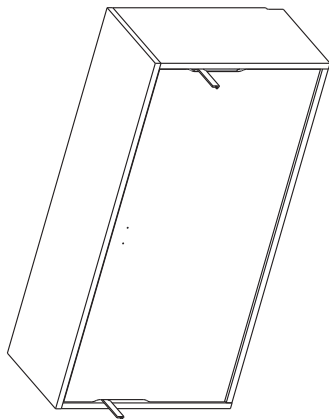
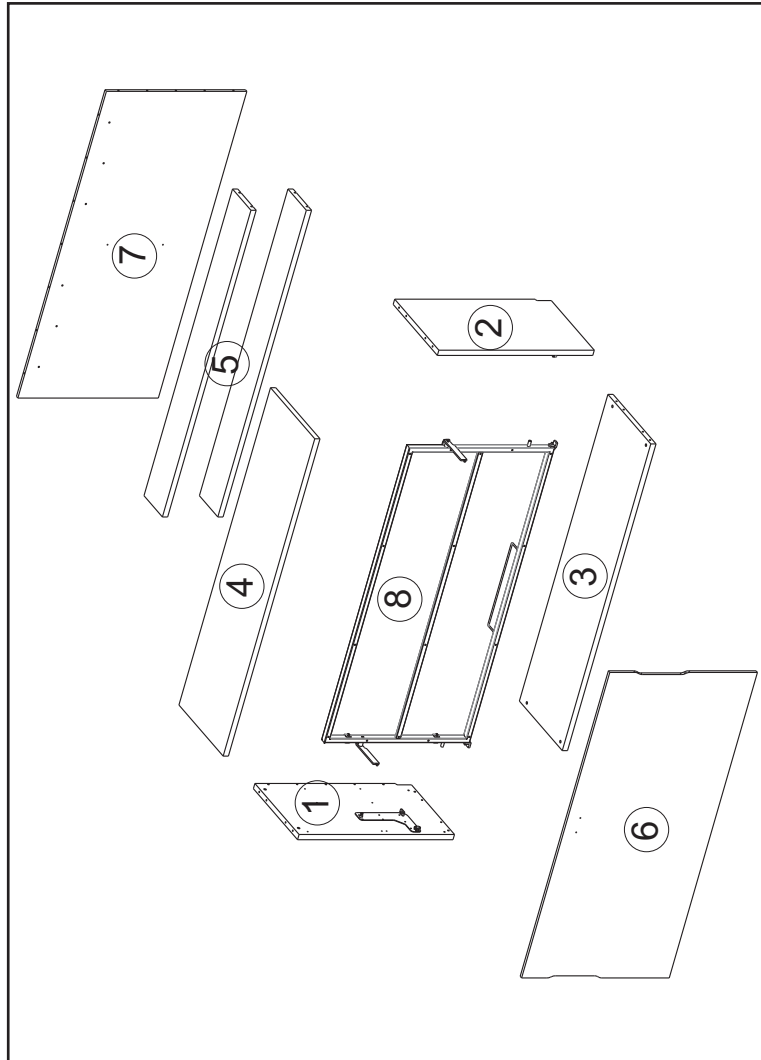


P-476-V1



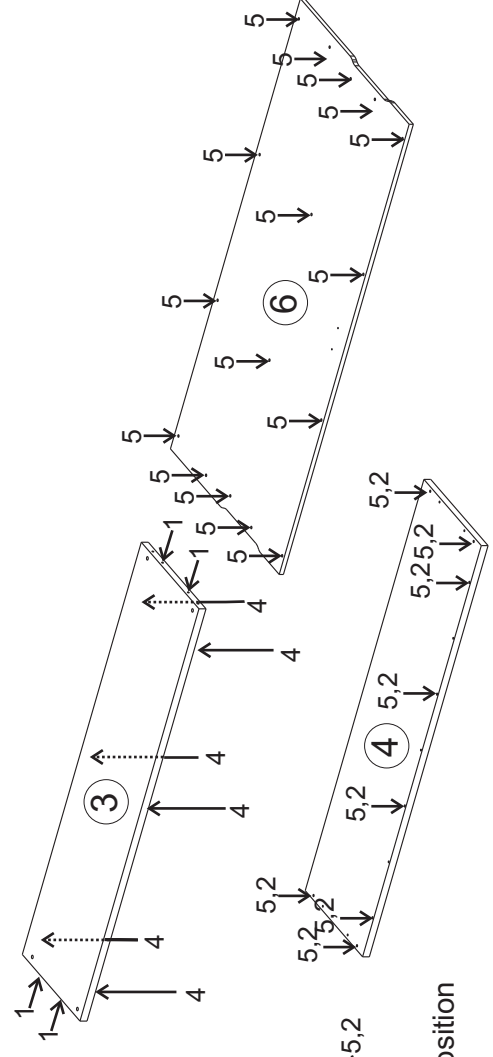
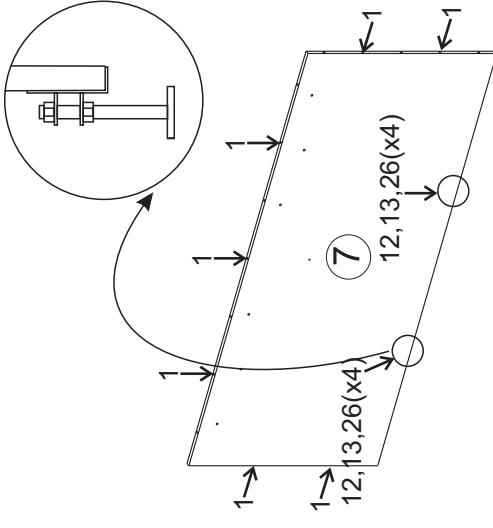
Ref:
 7626AF,7626F,
 7626BF,7626AM,
 7626M,7626BM,
 L7626AF,L7626F,
 L7626BF,L7626AM
 L7626M,L7626BM



ASSEMBLY TIME

Component 1: 1038 x 35
 Component 2: 1038 x 35
 Component 3: 986 x 35
 Component 4: 986 x 35
 Component 5: 938 x 35
 Component 6: 986 x 19
 Component 7: 938 x 19
 Component 8: 938 x 35 x2

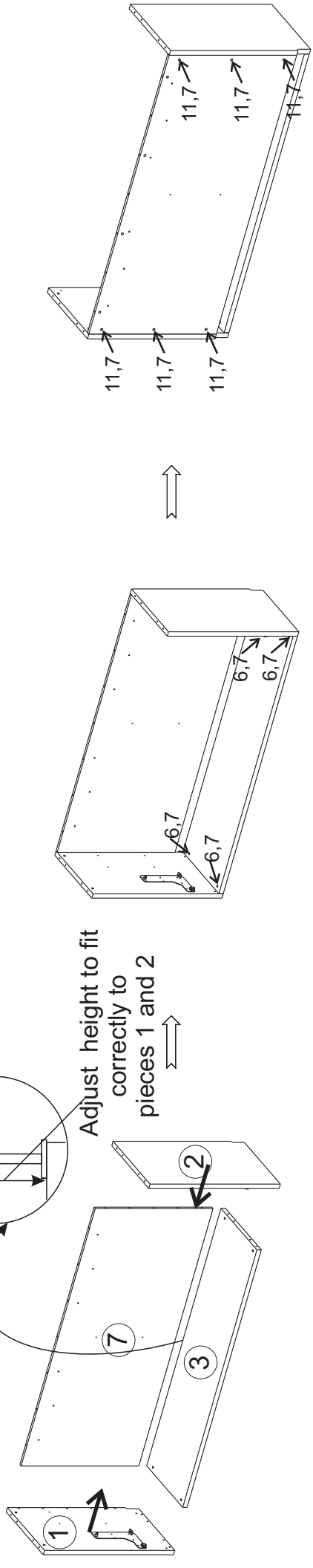
Ros, SA
 C/ra. de Lluïsa Remolins, 17
 25730 Artesa de Segre, Lleida, España
 Tel.: + 34 973 40 03 29 - fax: + 34 973 40 00 88
 e-mail: comercial@ros1.net - www.ros1.com



Assemble hardware n° 3 in lower position

1-060020	x15	2-071013	x18	3-079088	x4	4-076205	x6	5-070100	x34	8-074317	x2	9-074318	x2	10-072126	x16	12-079089	x2	13-079079	x2	26-072420	x8
----------	-----	----------	-----	----------	----	----------	----	----------	-----	----------	----	----------	----	-----------	-----	-----------	----	-----------	----	-----------	----

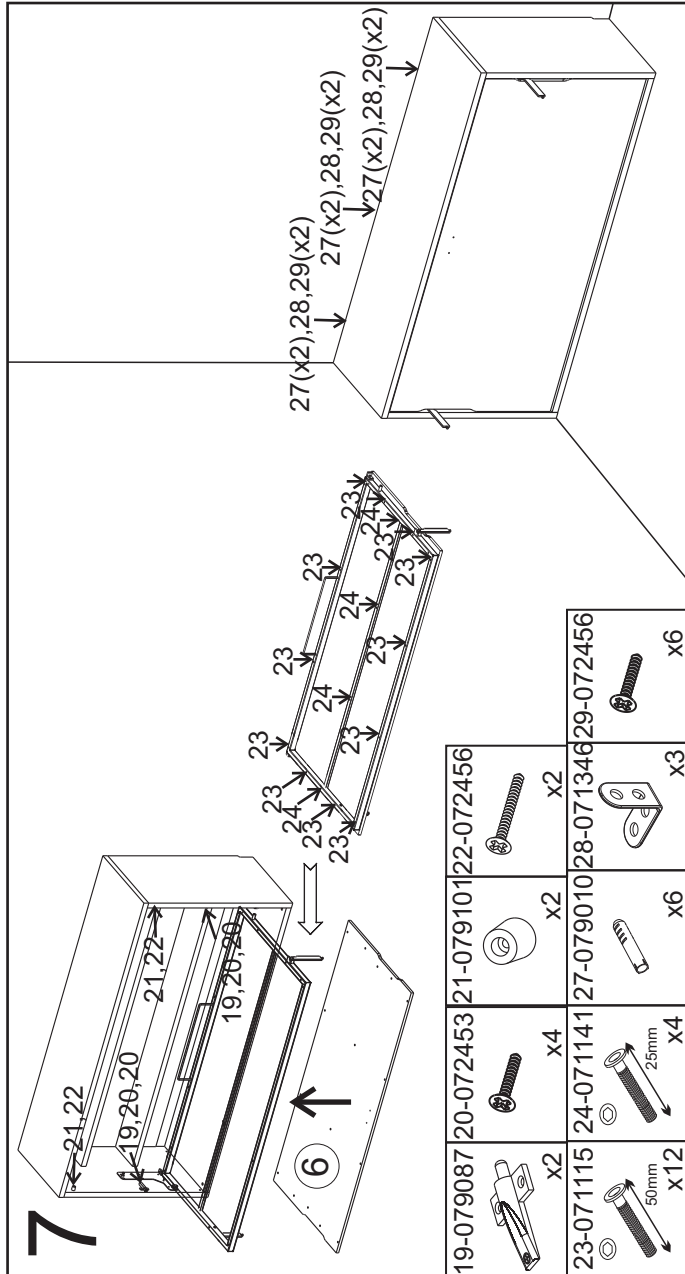
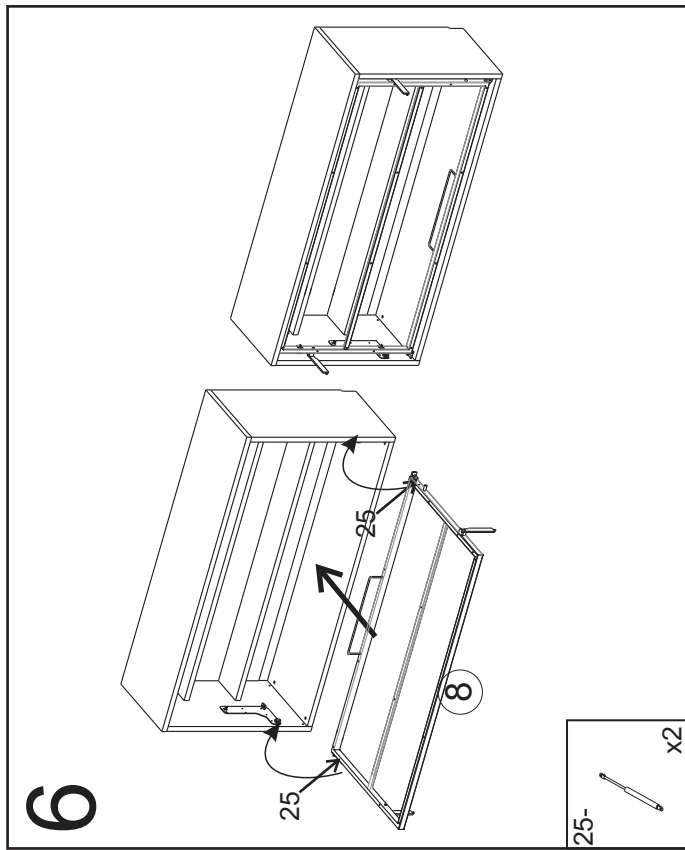
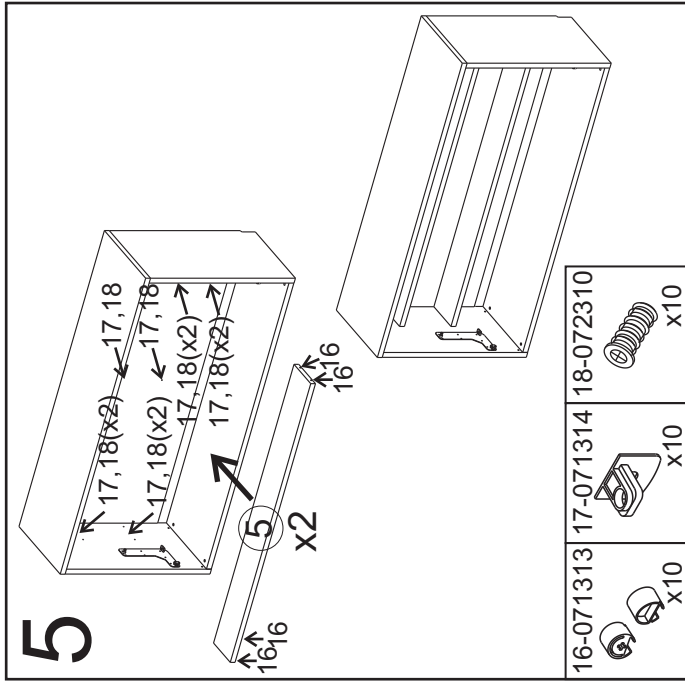
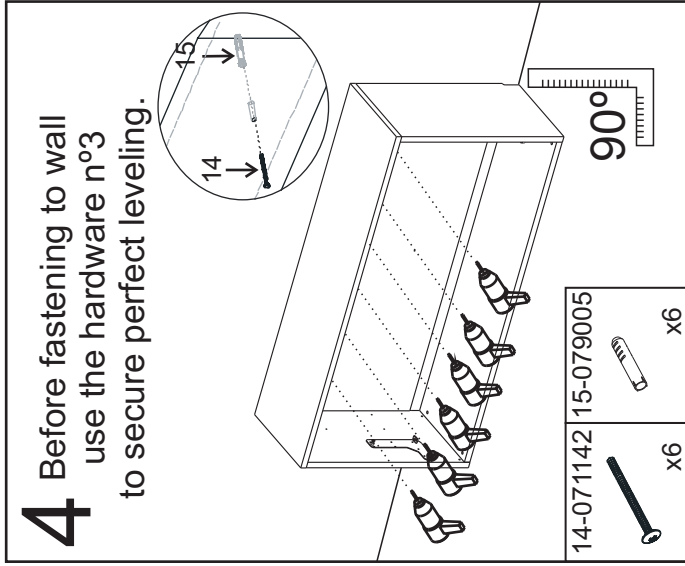
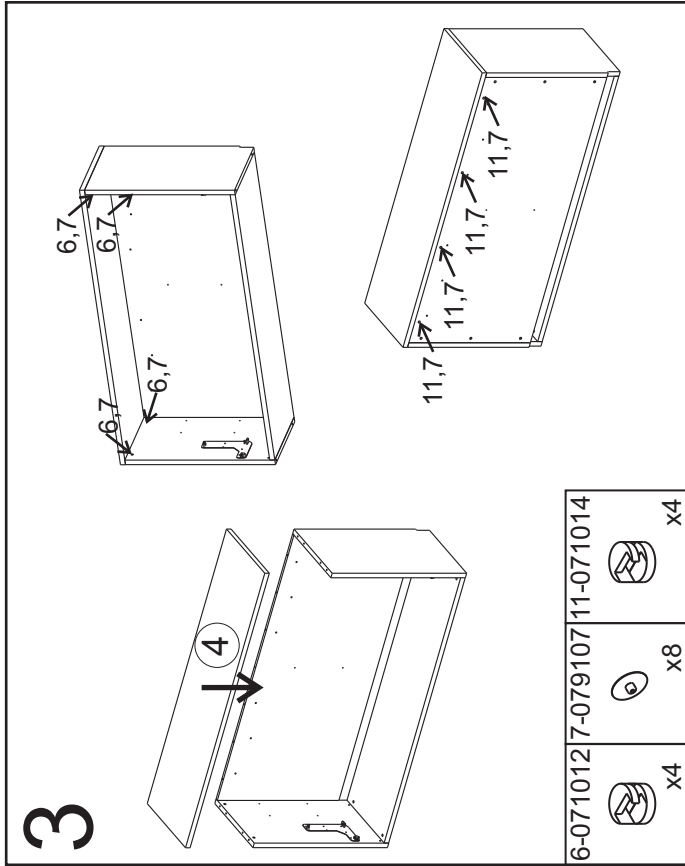
2



6-071012	x4	7-079107	x10	11-071014	x6
----------	----	----------	-----	-----------	----



ROS1, SA
 Ctra. de Lleida Km 47
 25730 Artesa de Segre, Lleida - España
 tel.: + 34 973 40 03 29 - fax.: + 34 973 40 00 88
 e-mail: comercial@ros1.net - www.ros1.com

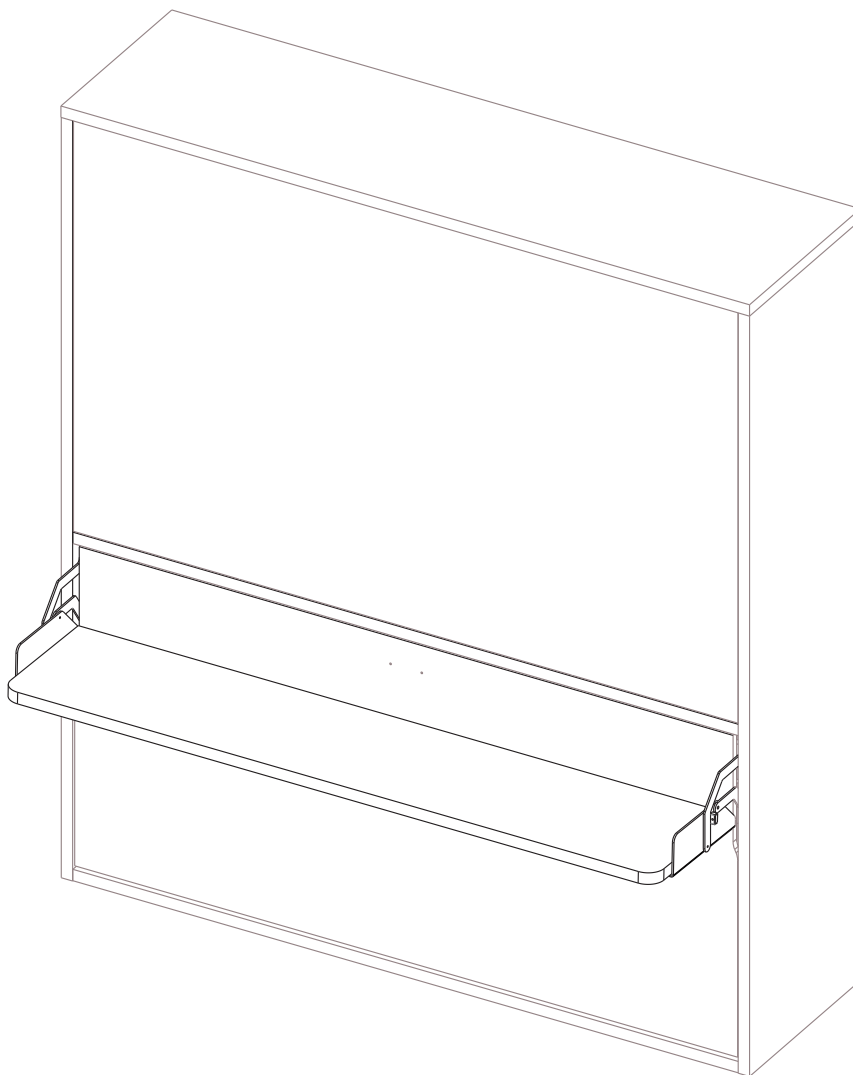


ROS1, SA
 Ctra. de Lleida Km 47
 25730 Artesa de Segre, Lleida - España
 tel.: + 34 973 40 03 29 - fax.: + 34 973 40 00 88
 e-mail: comercial@ros1.net - www.ros1.com

P-532-V2

HERRAJE MESA ABATIBLE
199472

ROS1, SA
Ctra. de Lleida Km 47
25730 Artesa de Segre, Lleida - España
tel.: + 34 973 40 03 29 - fax.: + 34 973 40 00 88
e-mail: comercial@ros1.net - www.ros1.com

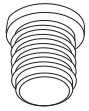


Ref.:BX1960

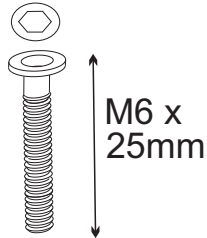


ASSEMBLY TIME

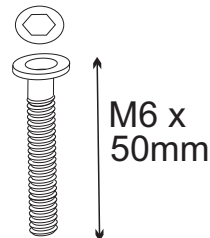
4 x
Ref. 070100



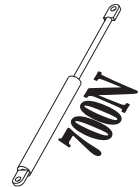
6x
Ref. 071141



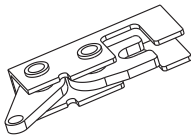
12x
Ref. 071115



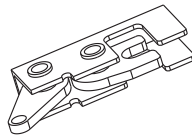
2 x
Ref. 079273



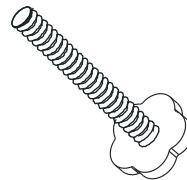
1 x
Ref. 074235



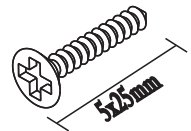
1 x
Ref. 074236



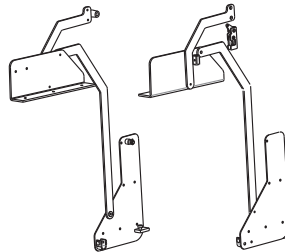
2 x
Ref. 079051



4 x
Ref. 072126



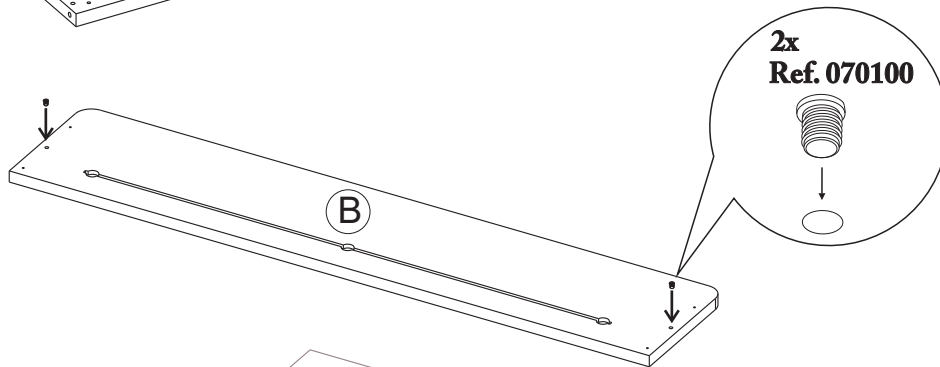
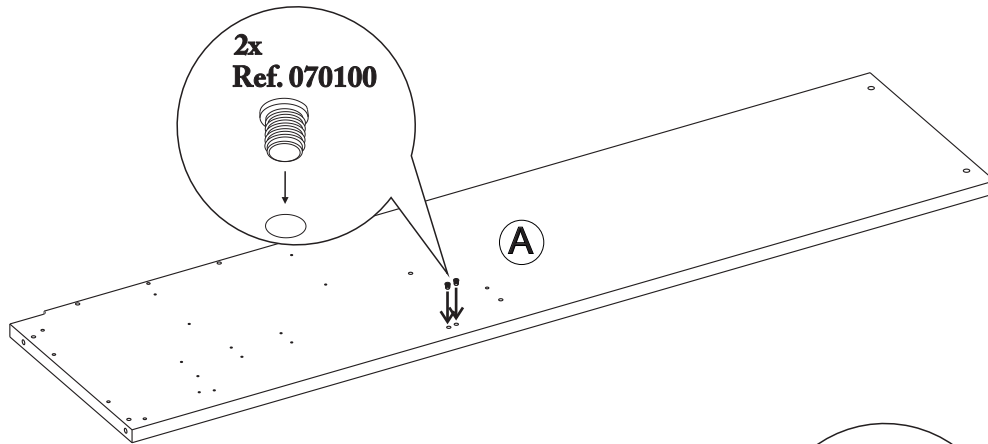
1 x
Ref. 074319



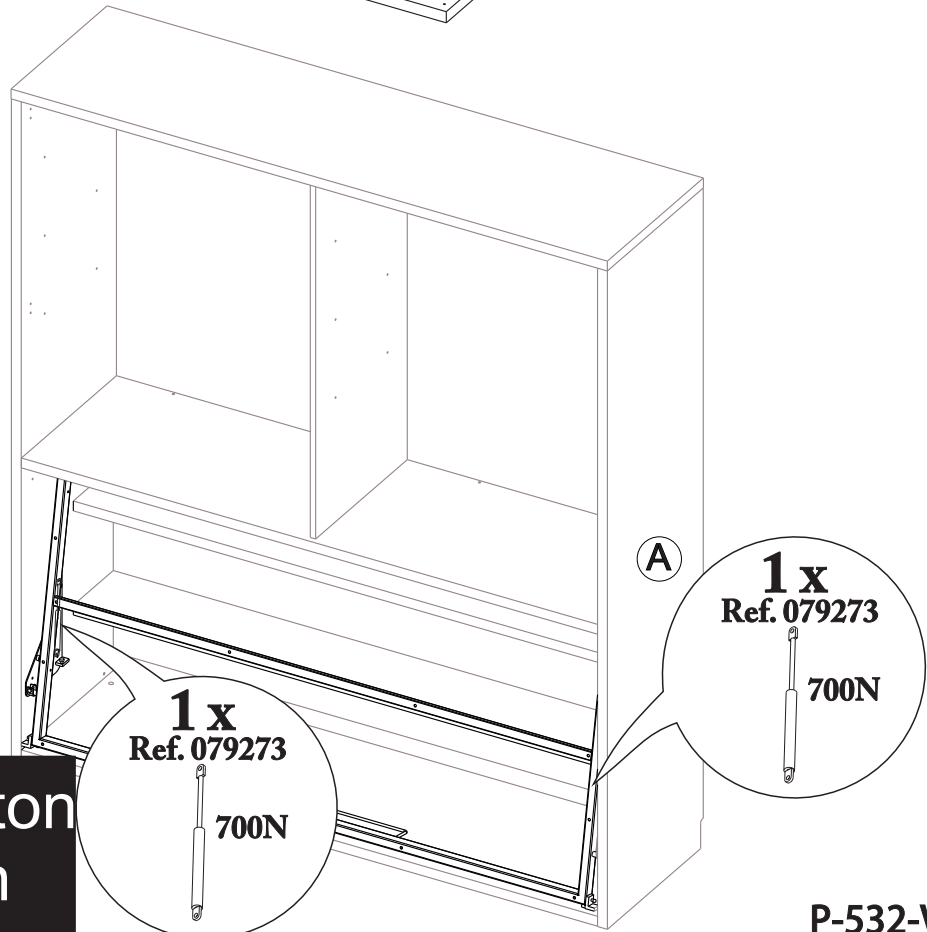
1



Steps for add the table in several types of modules:

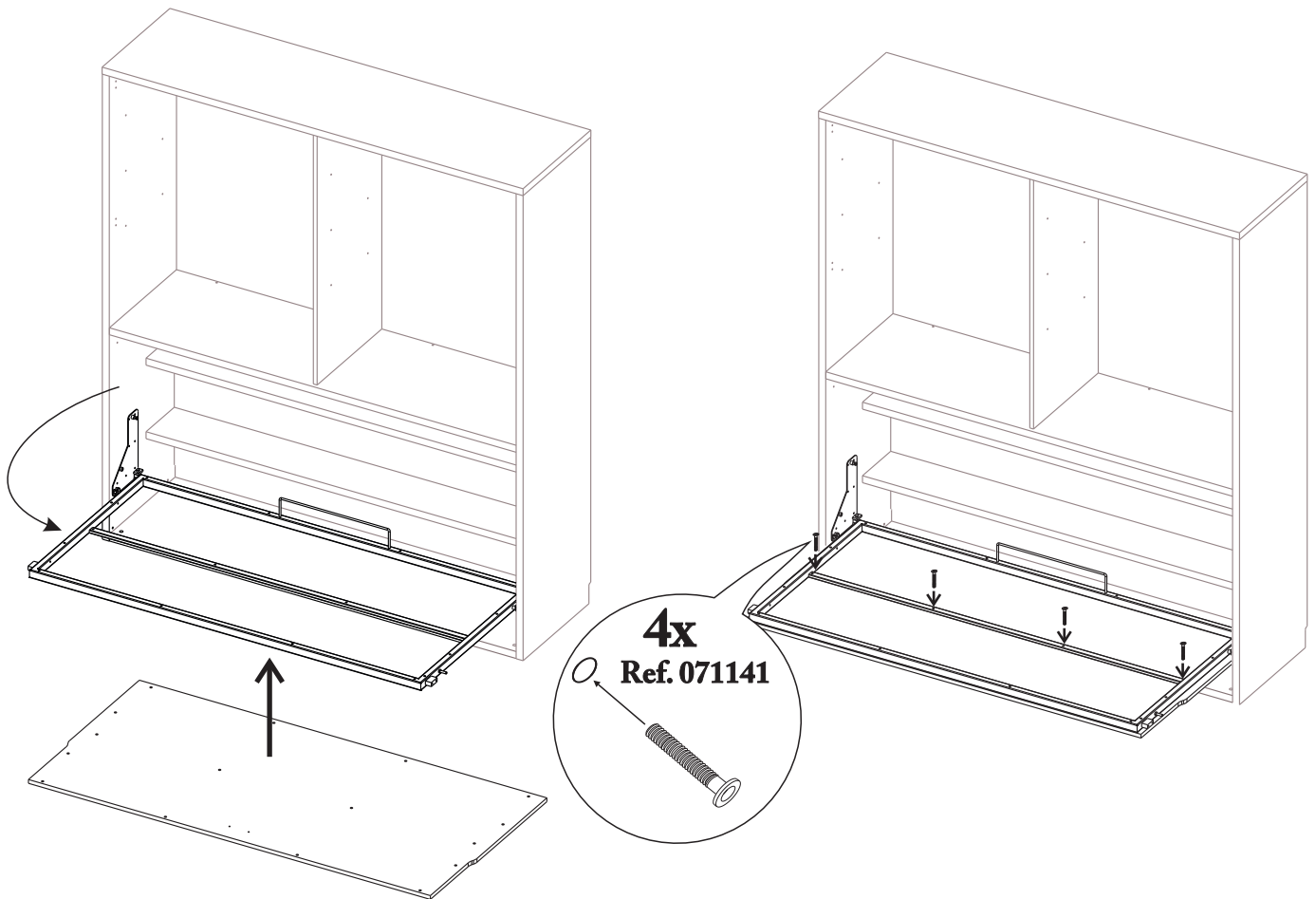


2

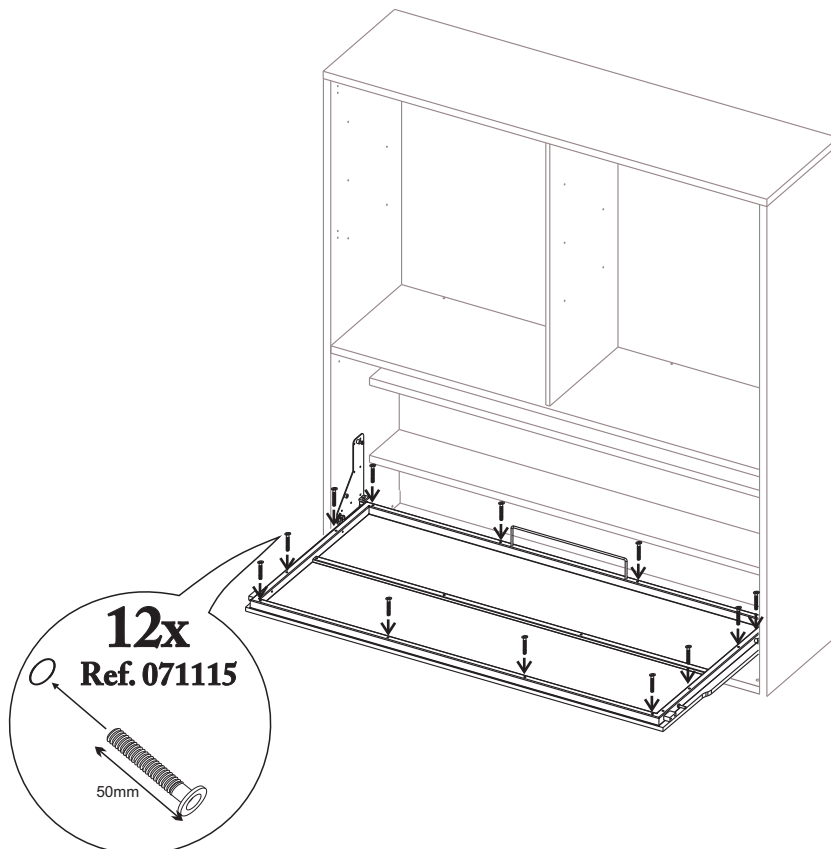


carefull: use piston
700N strength

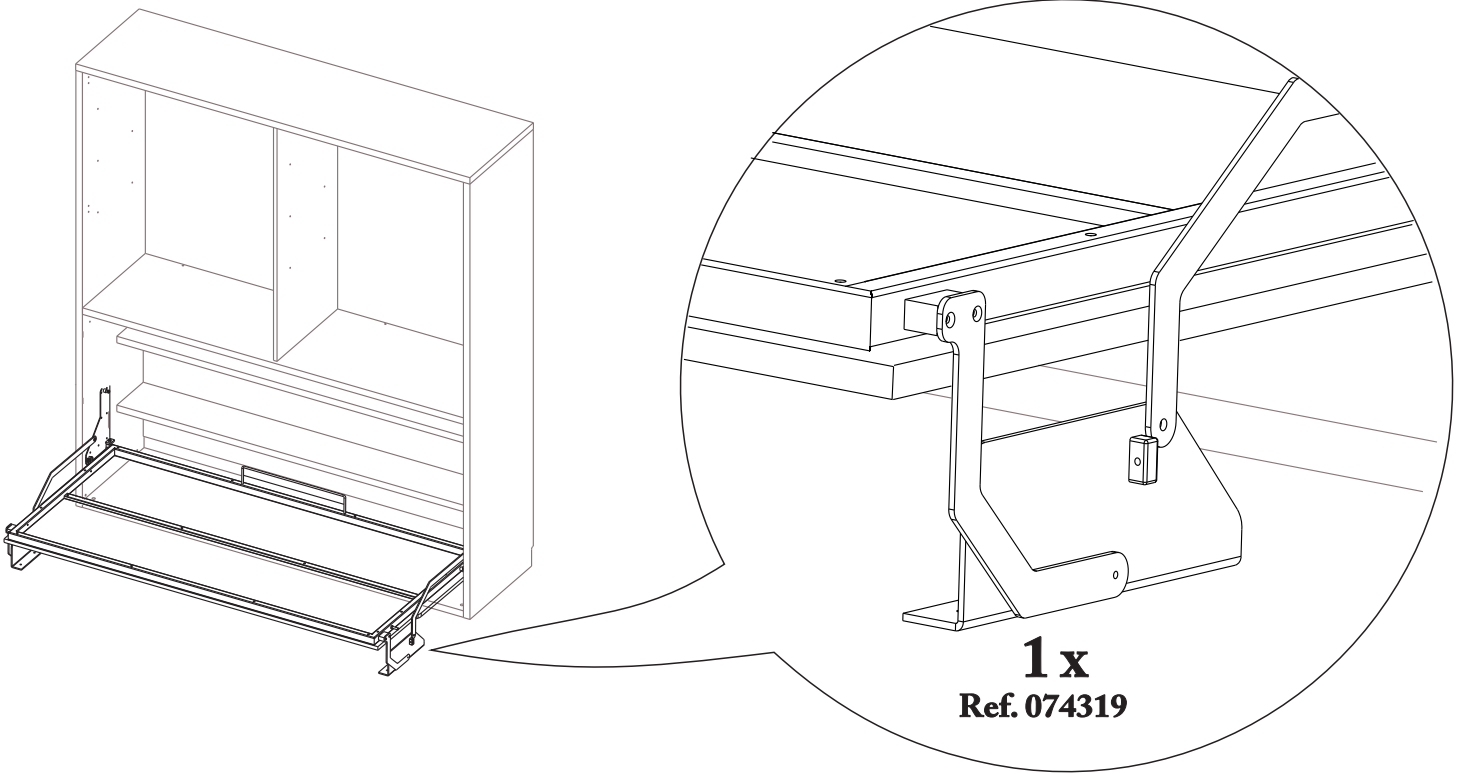
3



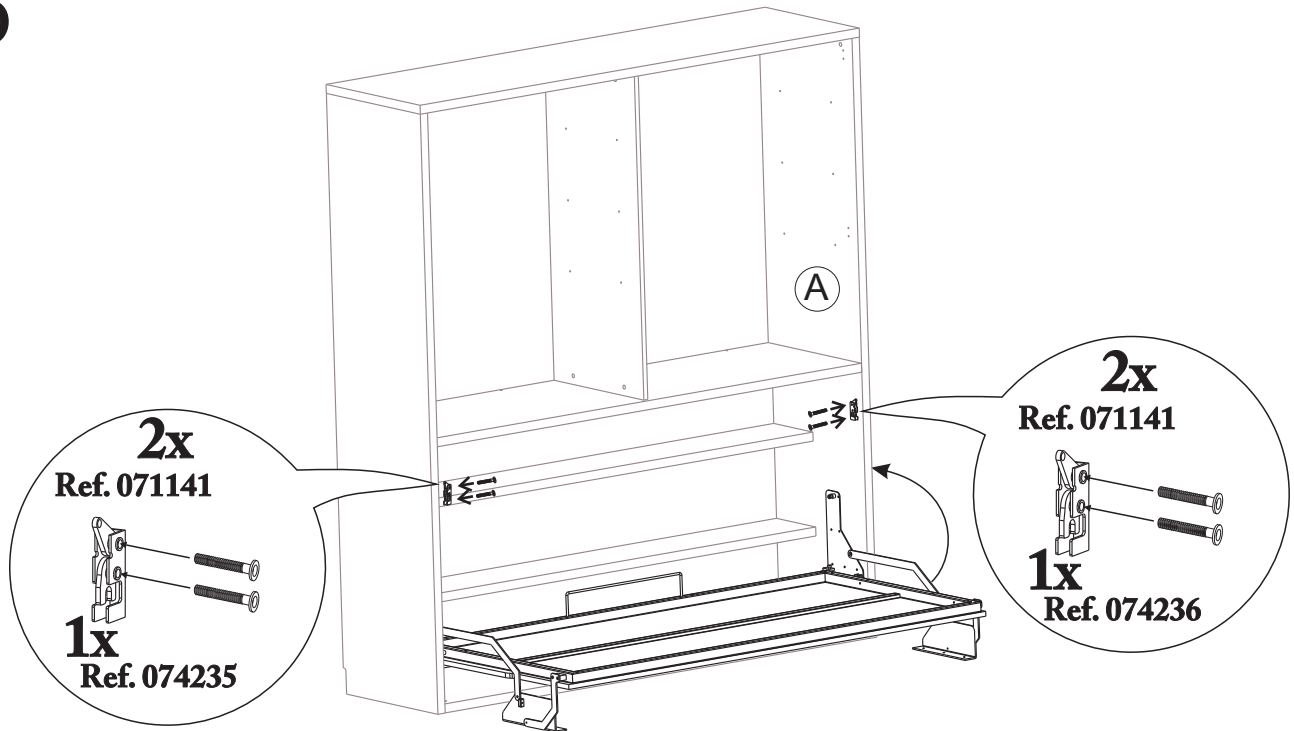
4



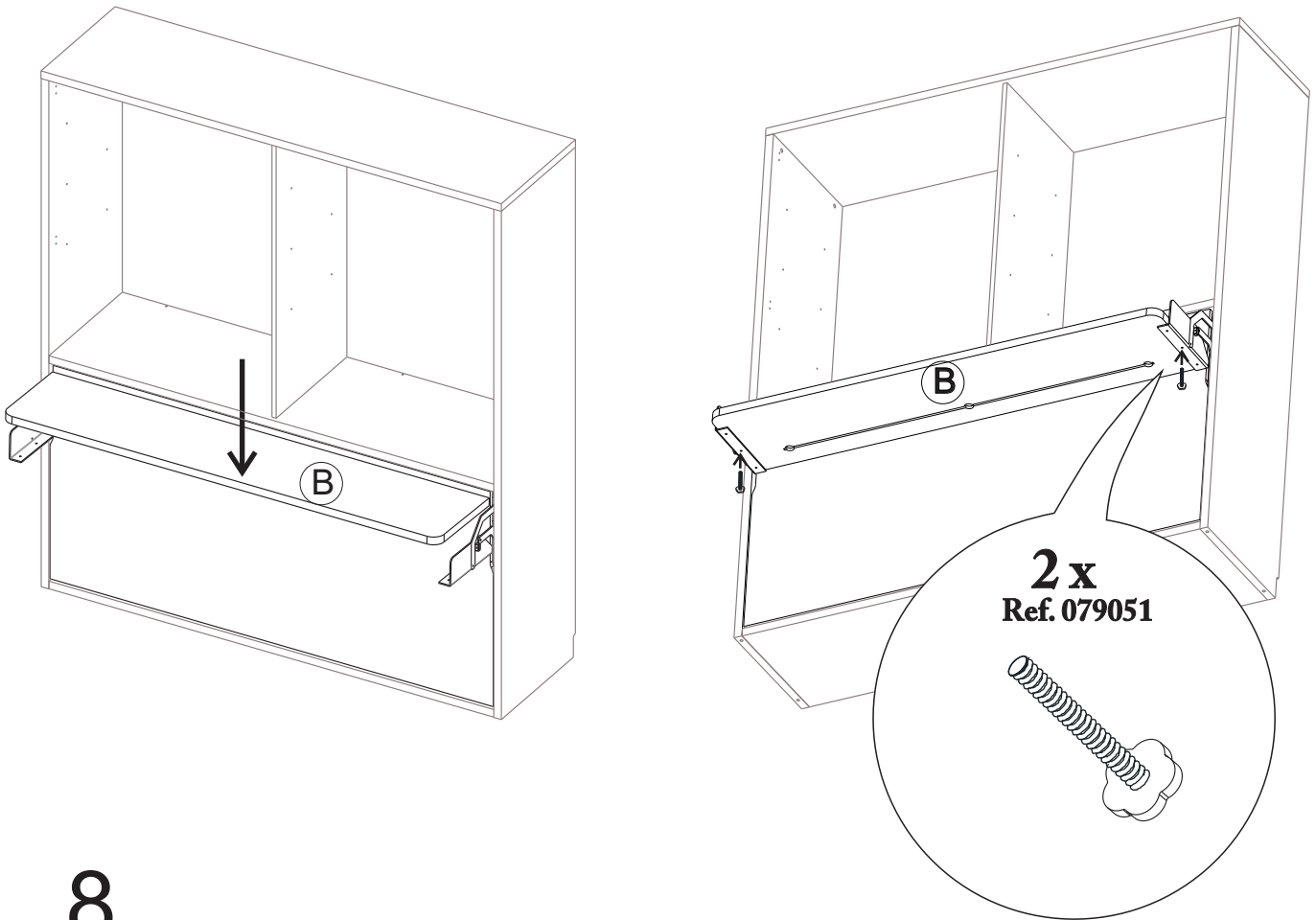
5



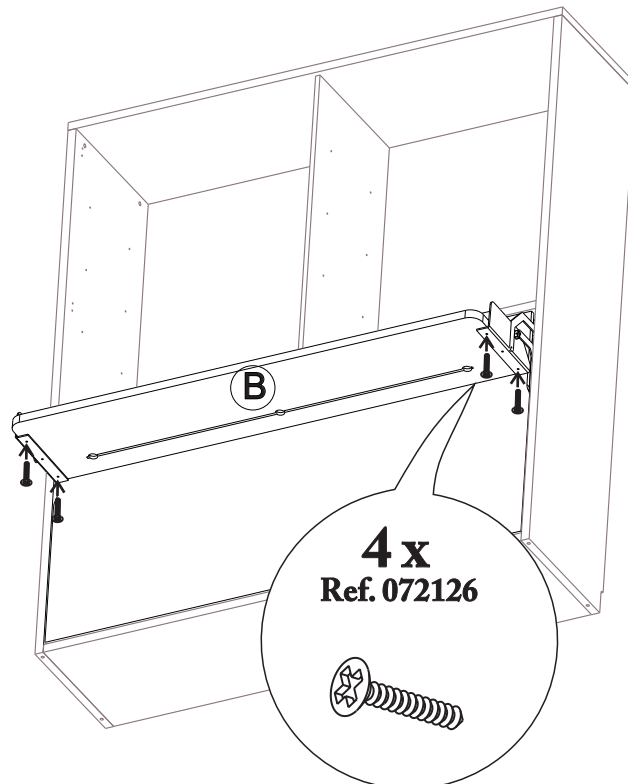
6



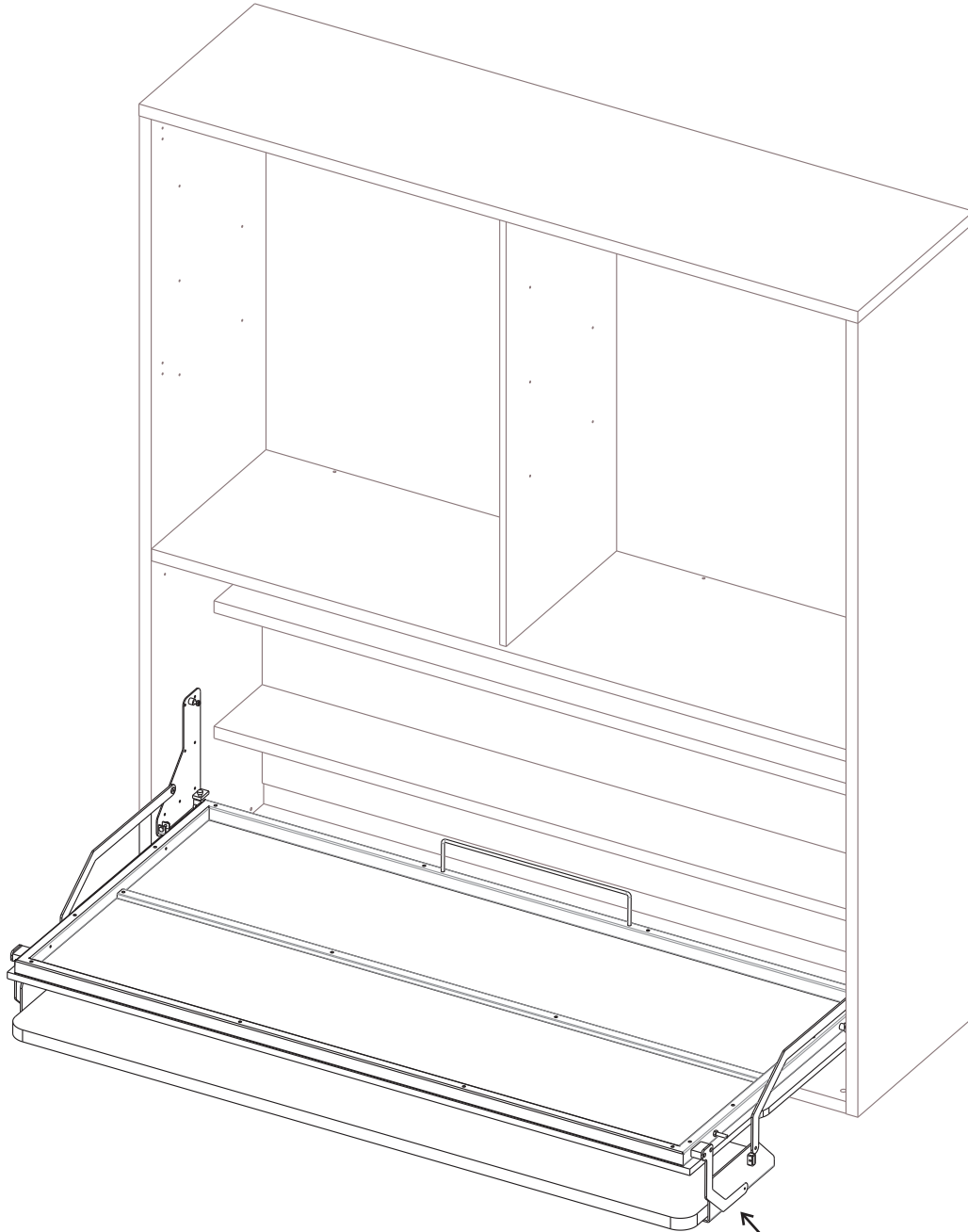
7



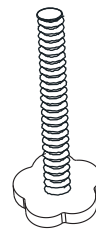
8



9



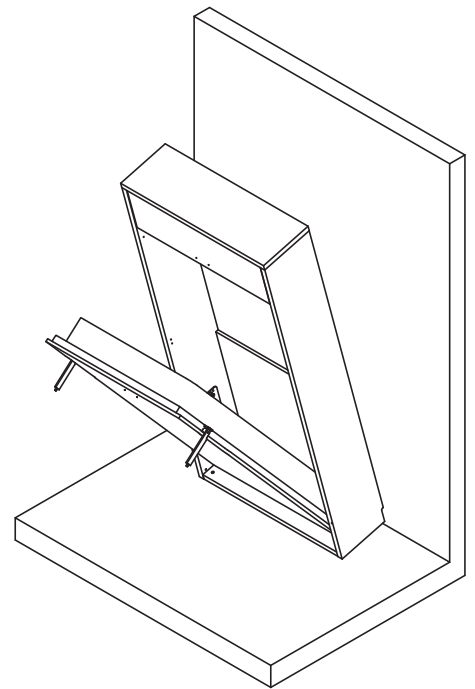
Adjust height hardware



if is needed

**¡ATENCIÓN!
¡PELIGRO DE CAIDA
DE MUEBLE!**

**WARNING!
RISK OF FALL!**



**IMPRESINDIBLE FIJAR
PRIMERO LA ESTRUCTURA A
LA PARED ANTES DE MONTAR
LA CAMA**

**(NO APTO PARA PAREDES PLADUR O
CARTON-YESO)**

**AT FIRST YOU HAVE TO
ATTACH THE STRUCTURE ON
THE WALL BEFORE SETTING
UP THE BED**

(PLASTERBOARD WALLS ARE FORBIDDEN)

