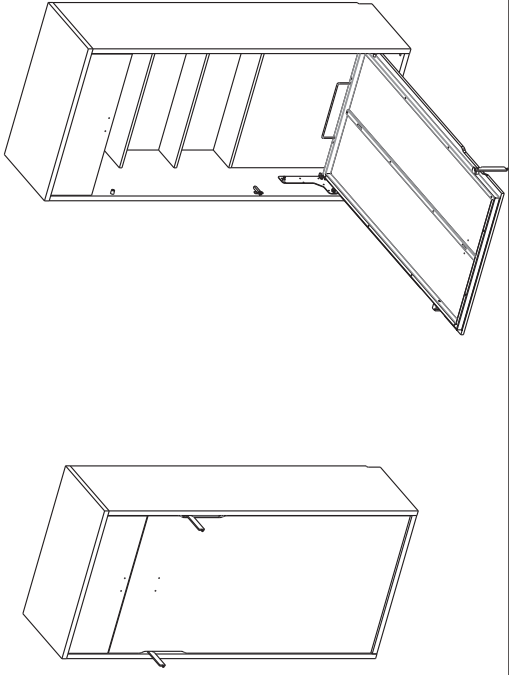
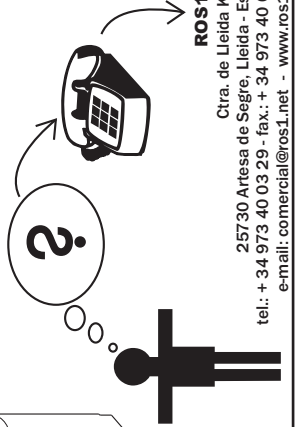
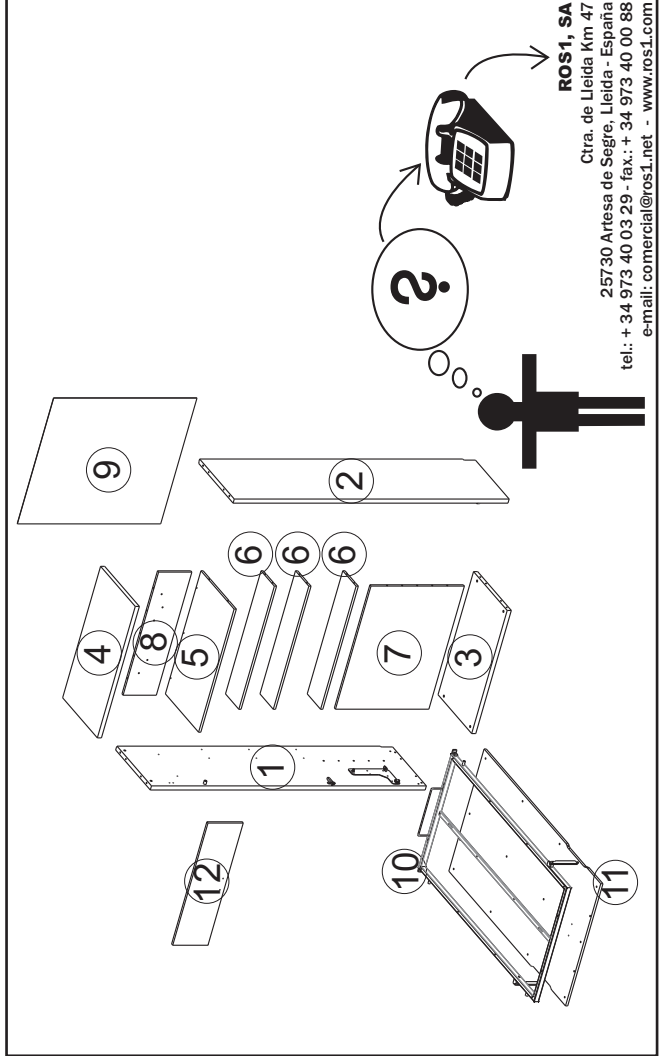
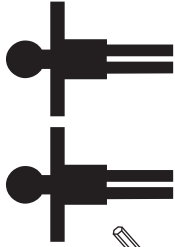
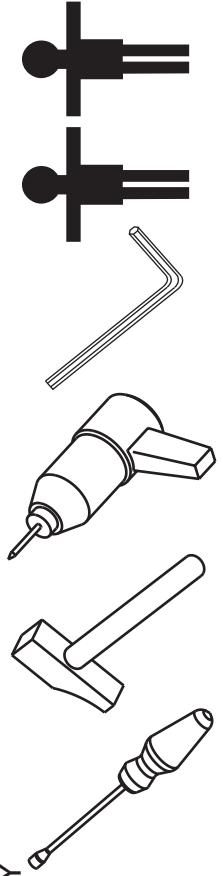
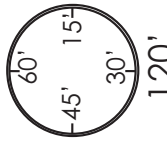


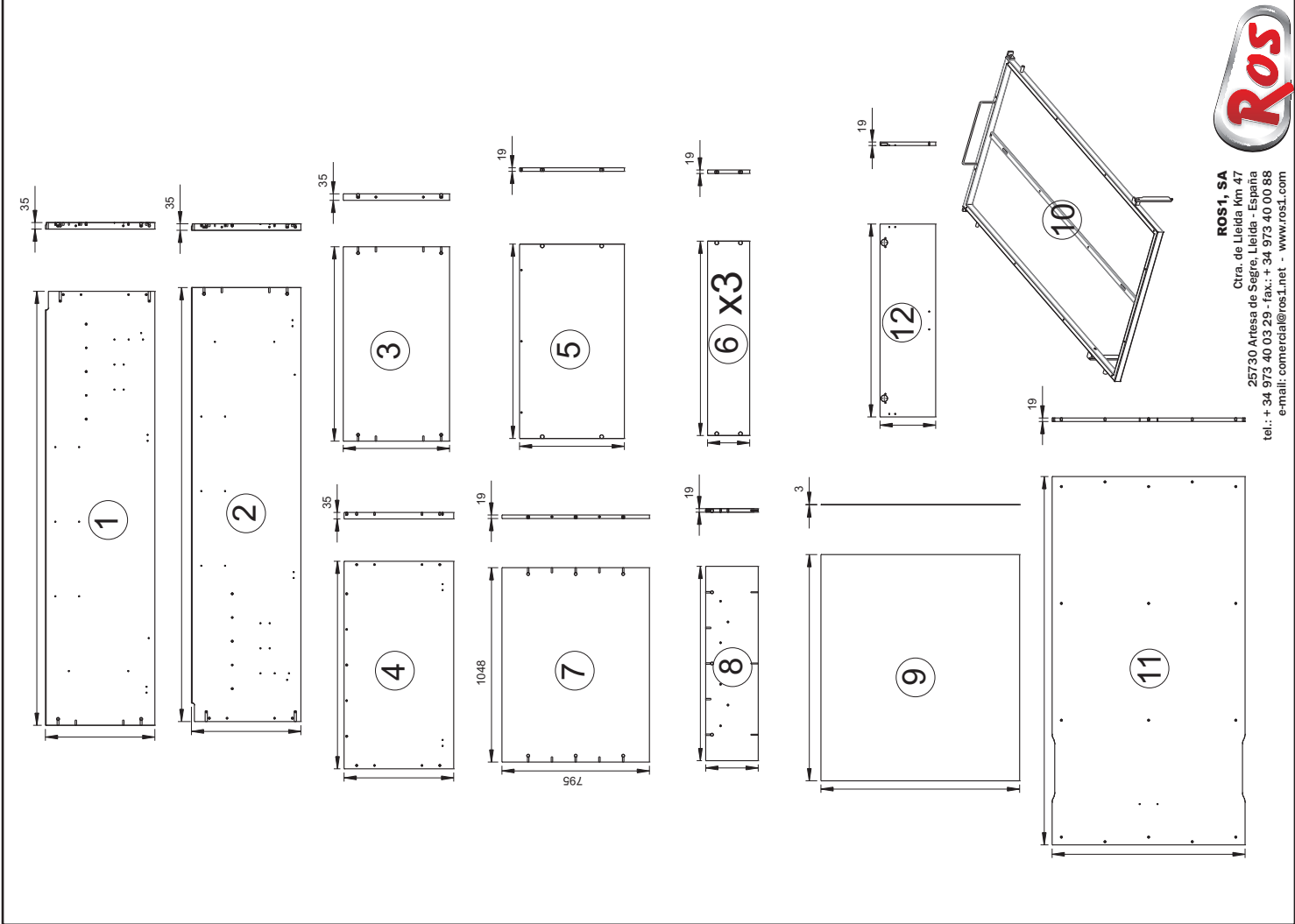
Ref: 7620F, 7620M, 7716F, 7716M P-449-v1



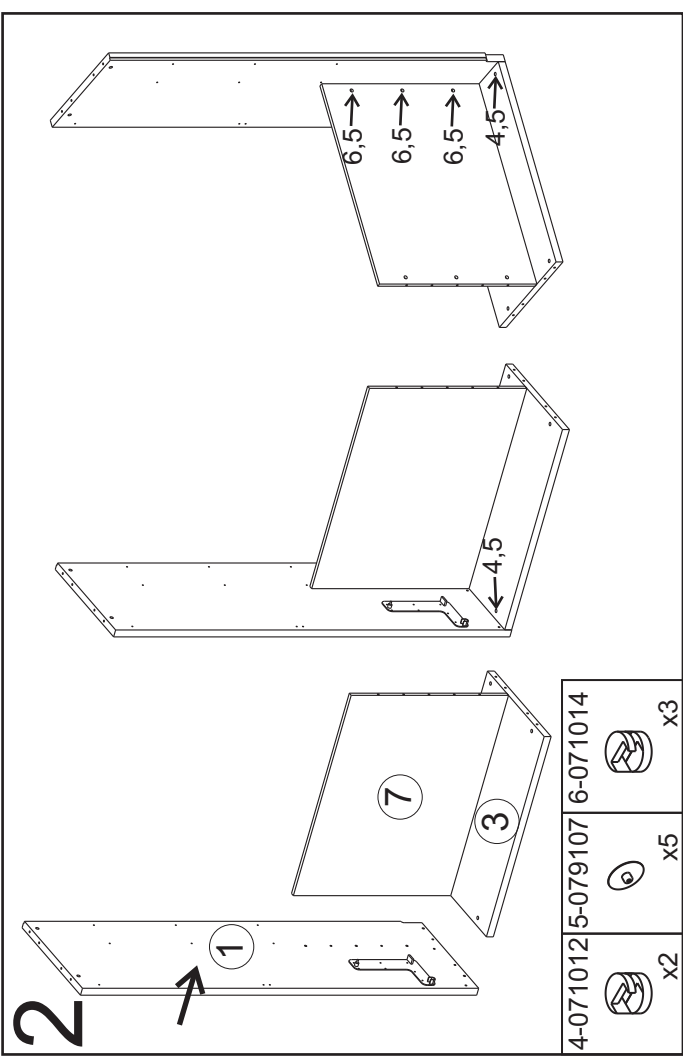
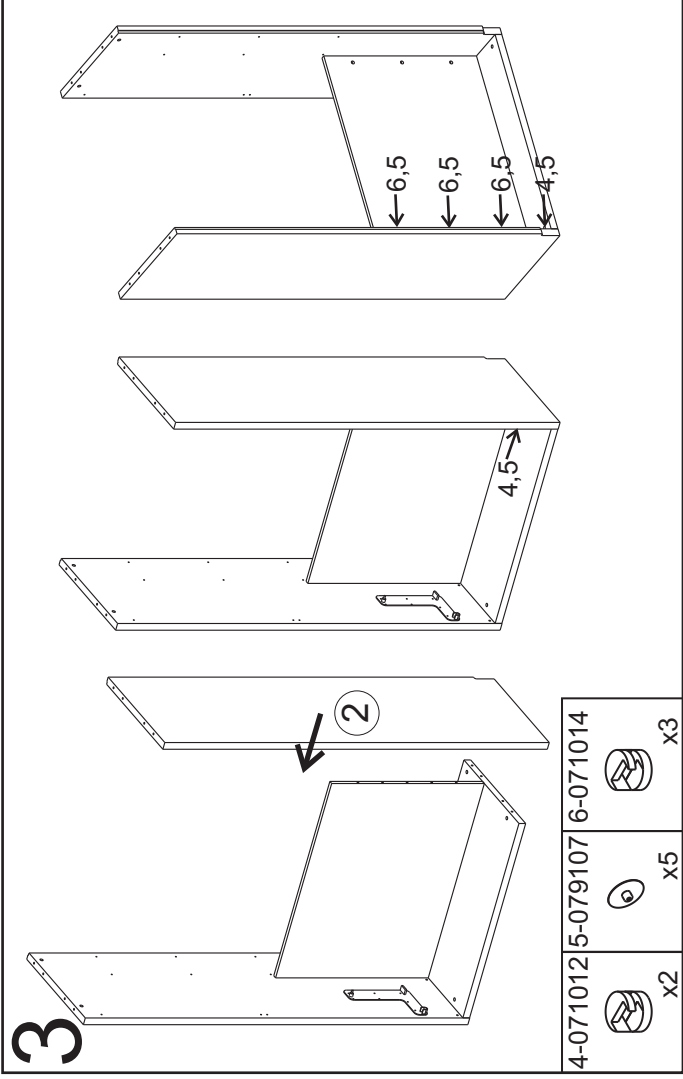
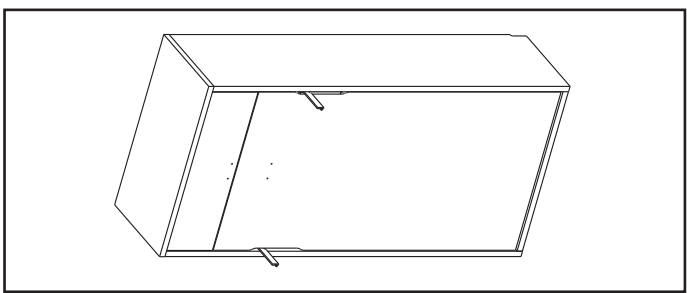
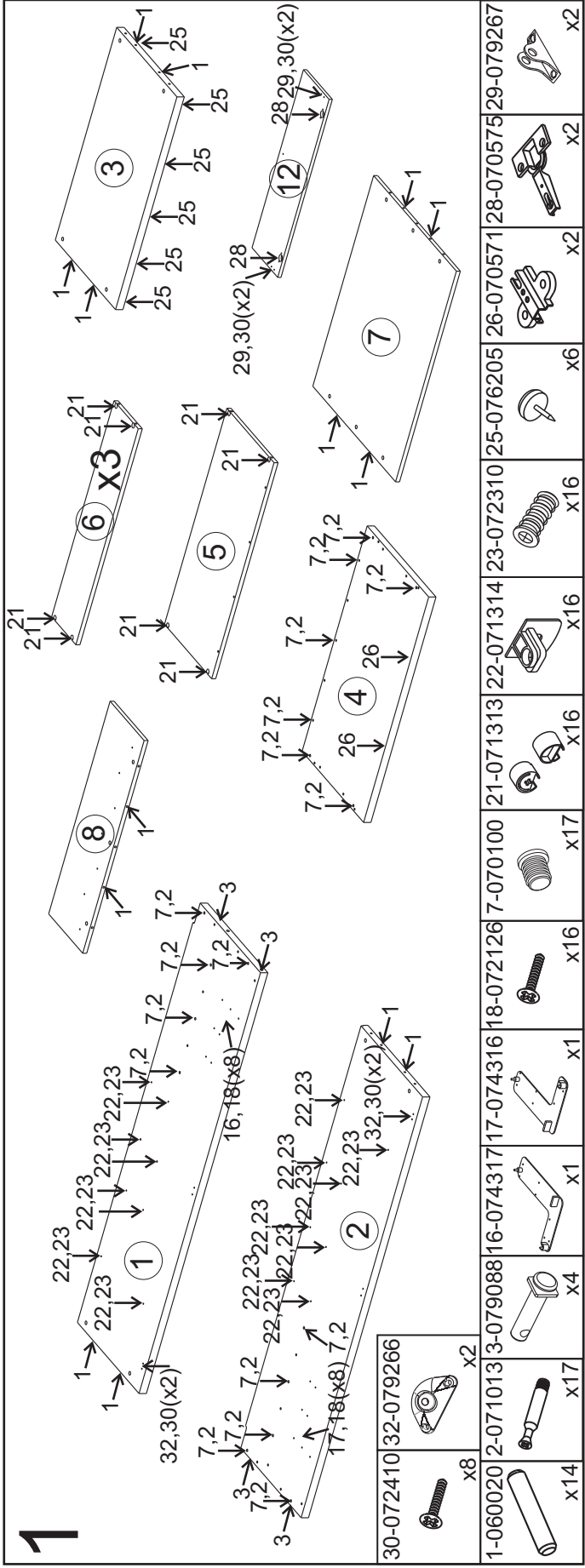
ASSEMBLY TIME



**ROS1, SA**  
 Ctra. de Lleida Km 47  
 25730 Artesa de Segre, Lleida - España  
 tel.: + 34 973 40 03 29 - fax.: + 34 973 40 00 88  
 e-mail: comercial@ros1.net - www.ros1.com



**ROS1, SA**  
 Ctra. de Lleida Km 47  
 25730 Artesa de Segre, Lleida - España  
 tel.: + 34 973 40 03 29 - fax.: + 34 973 40 00 88  
 e-mail: comercial@ros1.net - www.ros1.com



**ROS1, SA**  
 Ctra. de Lleida Km 47  
 25730 Artesa de Segre, Lleida - España  
 tel.: + 34 973 40 03 29 - fax.: + 34 973 40 00 88  
 e-mail: comercial@ros1.net - www.ros1.com

### 4

4-071012 x4  
5-079107 x7  
6-071014 x3  
24-072210 x3  
12-079106 x3

### 5

19-072400 x50

### 6

The module can be at 90° respect the flat surface for use correctly. Mark the holes and drill the wall for insert the pieces n° 11.

10-071142 x6  
11-079005 x6  
3-079088 x4

Use this hardware to obtain 90°, if is needed

### 7

37-079010 x3  
34-071346 x3  
35-072432 x6  
36-072456 x6  
37(x2), 34, 35(x2), 36(x2), 37(x2), 34, 35(x2), 36(x2)

### 8

15- x2

### 9

**I M P O R T A N T :**  
The module must be securely attached to the wall before opening the door

7-070100 x16  
20-071115 x12  
27-071141 x4

### 10

8-079087 x2  
9-072453 x4  
13-079101 x2

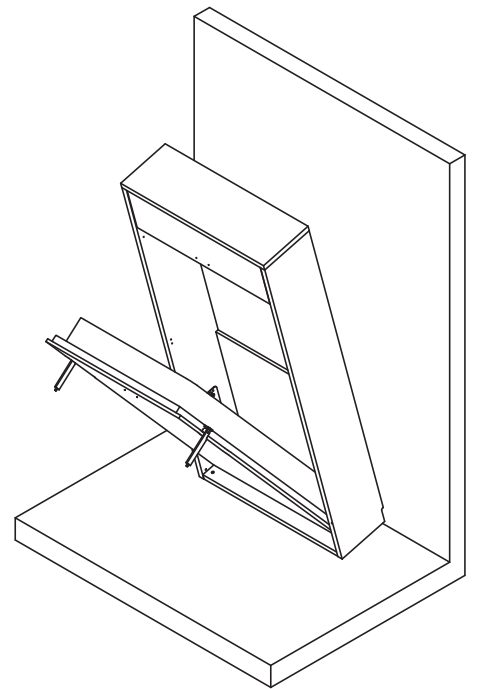
Use the hardware n°8 to adjust correctly the door.

### 10

33-079268 x2  
31- x2  
14-072456 x2

**¡ATENCIÓN!  
¡PELIGRO DE CAIDA  
DE MUEBLE!**

**WARNING!  
RISK OF FALL!**



**IMPRESINDIBLE FIJAR  
PRIMERO LA ESTRUCTURA A  
LA PARED ANTES DE MONTAR  
LA CAMA**

**(NO APTO PARA PAREDES PLADUR O  
CARTON-YESO)**

**AT FIRST YOU HAVE TO  
ATTACH THE STRUCTURE ON  
THE WALL BEFORE SETTING  
UP THE BED**

**(PLASTERBOARD WALLS ARE FORBIDDEN)**

